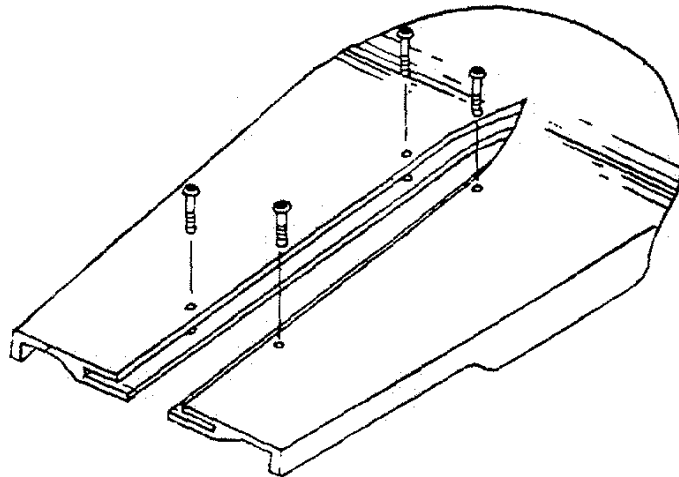


ATTENTION: BULLETIN

Important installation instructions on the UniFit Shallow Blaster Cavitation Plate!



The 90HP & 115HP OMC Ocean Pro with 60° lower unit you must install 4 bolts where indicated which makes cavitation plate a 4 bolt system. Also note that only on the 90HP & 115HP OMC Ocean Pro a different rubber insert is used. We suggest to keep a few extra rubber inserts in stock. Also note you must install the 4 bolts indicated on cavitation plate on the V-6 Yamaha & the V-6 Suzuki which makes the cavitation plate for these 2 engines a 4 bolt system also. This cavitation plate fits all engines and must be installed properly for peak performance.